

# SOA™ LED Light Box (Profile E)

Powered by iFIT™ LED Edge-lit Technology

**UL-listed Electric Sign**



48" x 48" Custom Size - Retail Application

### Features:

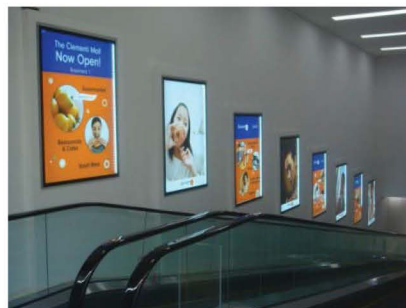
- ✓ **Ultra Slim Profile 7/8"**
- ✓ **Quick Graphics Change** with snap open frame
- ✓ **Great Evenness & Brightness** with iFIT™ LGP Technology
- ✓ **80% Energy-saving** compared to traditional light
- ✓ **Custom Sizes & Finishes** available
- ✓ **2-years Manufacturer Warranty**

SOA Light Boxes are the only on market engineered to have same brightness over different sizes, which makes modular light box design a breeze!

*iFIT™ LED technology truly brings your image alive!*



Same photo shoot conditions for both pictures: ISO-200 f/5.3 Exposure: 1/25 sec



# SOA™ LED Light Box (Profile E)



**Safety Standard**

UL Listed Electric Sign (E351307)

**Dimensions**

- \* Depth 7/8" (22mm) *complies with the wallway depth restriction of the ADA Act of 1990*
- \* Frame Size = Graphic Size + 1 1/2" (38 mm)
- \* Visual Area = Graphic Size – 1 1/2" (38 mm)
- \* Tolerance +/- 1/8" (3mm)

**Graphics**

- \* Custom Sizes: Maximum 48"x96" (1219 x 2438 mm)
- \* Front Clear Protection Cover included

**Frame**

- \* 4-sides Snap Open
- \* Anodized Aluminum
- \* Black or Silver Color
- \* Portrait or Landscape Wall Mount
- \* Individual Packed

**Lighting & Power**

- \* iFIT LED Edge-lit Light Panel enclosed
- \* 6500K LEDs on 2 Longer Sides
- \* Adaptor included (see table below)
- \* 120VDC/60Hz
- \* Electrical Cord: Black 10'5" (3175 mm), 3-prong Plug

**Options**

- \* Eyelets for Ceiling Mount
- \* Custom Sizes
- \* Dimmer

Item #	Graphic Size	Visual Area	Frame Size L x W x D	Power (Watt)	Adaptor
E3648	36" x 48"	34 1/2" x 46 1/2"	37 1/2" x 49 1/2" x 7/8"	78	24VDC/3.75A (1pc)
E4872	48" x 72"	46 1/2" x 70 1/2"	49 1/2" x 73 1/2" x 7/8"	117	24VDC/3.75A (2pcs)
E4896	48" x 96"	46 1/2" x 94 1/2"	49 1/2" x 97 1/2" x 7/8"	156	24VDC/3.75A (2pcs)

Contact us for price quotation, custom sizes, and custom options.

# SOA™ LED Light Box (Profile D)


**Dimensions**

- \* Depth 5/8" (16 mm) *complies with the wallway depth restriction of the ADA Act of 1990*
- \* Frame Size = Graphic Size + 1 1/2" (38 mm)
- \* Visual Area = Graphic Size – 1" (25 mm)
- \* Tolerance +/- 1/8" (3mm)

**Graphics**

- \* 6 Standard Sizes
- \* Custom Sizes: Maximum 48"x96" (1219 x 2438 mm)
- \* Front Clear Protection Cover included

**Frame**

- \* 4-sides Snap Open
- \* Anodized Aluminum
- \* Black or Silver Color
- \* Portrait or Landscape Wall Mount
- \* Individual Packed

**Lighting & Power**

- \* iFIT LED Edge-lit Light Panel enclosed
- \* 6500K LEDs on 2 Longer Sides  
except D1620 & D1824 on 2 shorter sides
- \* Adaptor with On/Off Switch included
- \* 120VDC/60Hz
- \* Electrical Cord: Black 10'5" (3175 mm), 2-prong Plug

**Options**

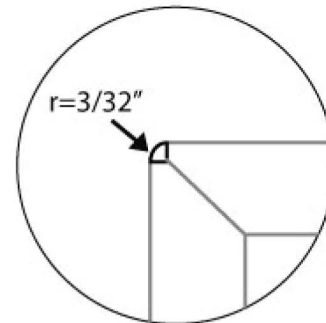
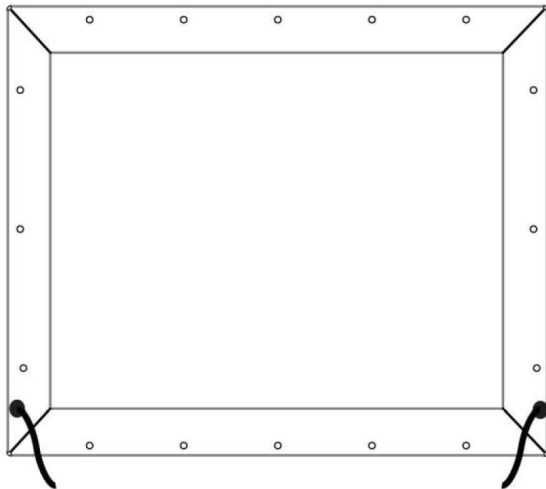
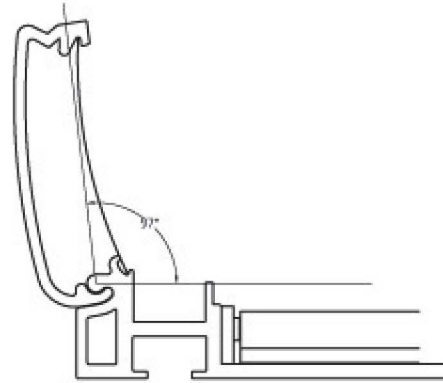
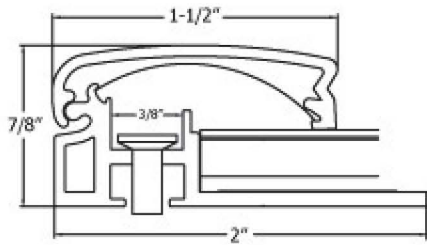
- \* Eyelets for Ceiling Mount
- \* Custom Sizes
- \* Adaptor with no On/Off Switch
- \* Dimmer

Item #	Graphic Size	Visual Area	Frame Size L x W x D	Power (Watt)	Adaptor
D1620	16" x 20" (406 x 508 mm)	15" x 19" (381 x 483 mm)	17 1/2" x 21 1/2" x 5/8" (444 x 546 x 16 mm)	7	12VDC/1A
D1824	18" x 24" (457 x 610 mm)	17" x 23" (432 x 585 mm)	19 1/2" x 25 1/2" x 5/8" (495 x 648 x 16 mm)	13	12VDC/2A
D2228	22" x 28" (559 x 711 mm)	21" x 27" (534 x 686 mm)	23 1/2" x 29 1/2" x 5/8" (597 x 749 x 16 mm)	21	12VDC/3A
D2424	24" x 24" (610 x 610 mm)	23" x 23" (585 x 585 mm)	25 1/2" x 25 1/2" x 5/8" (648 x 648 x 16 mm)	17	12VDC/2A
D2436	24" x 36" (610 x 914 mm)	23" x 35" (585 x 889 mm)	25 1/2" x 37 1/2" x 5/8" (648 x 952 x 16 mm)	25	12VDC/3A
D3040	30" x 40" (762 x 1016 mm)	29" x 39" (737 x 991 mm)	31 1/2" x 41 1/2" x 5/8" (800 x 1054 x 16 mm)	28	12VDC/3A

Contact us for price quotation, custom sizes, and custom options.

# SOA™ LED Light Box (Profile E)

## MECHANICAL DRAWINGS



**Enlarged View**

**Back View**

Note:

16 mounting holes for 3'x4' & 4'x6'  
18 mounting holes for 4'x8'

1 Wire (right side) for 3'x4'  
2 Wires for 4'x6' & 4'x8'

# SOA™ LED Light Box (Profile D)

## MECHANICAL DRAWINGS

